



surf-k & surf-km

LTE Primary Alarm Communicators

Non-DSC Legacy Alarm Panels Installation Guide

V1.6

Firmware V1.0

Contents

- 1. With Keyswitch 3
 - a. Wiring Diagram 4
 - b. Programming Instructions 4
 - i. Remote Arming via Keyswitch 4
 - ii. For Monitoring via Relay 5
- 2. Without Keyswitch 5
 - a. Wiring Diagram 6
 - b. Programming Instructions 6
 - i. For Monitoring via Relay 6

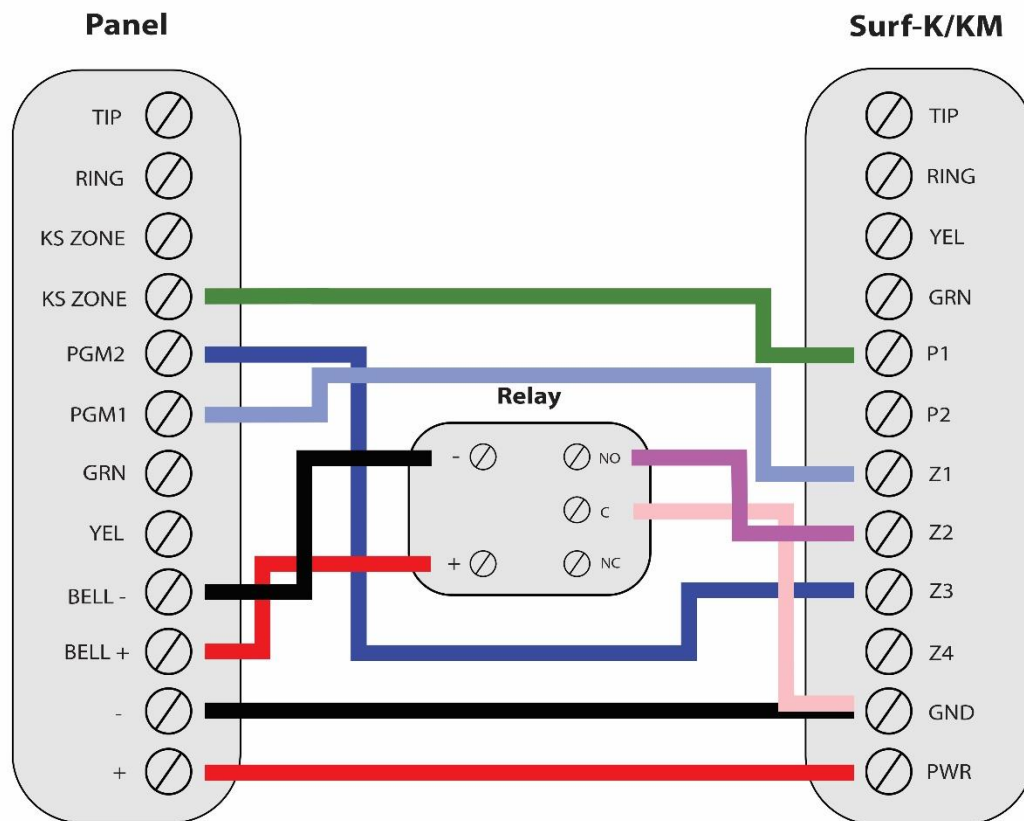
1. With Keyswitch

For alarm panels without CID or SIA communications, a relay is required to monitor burglary alarms and a PGM is required to monitor fire alarms. Connect the relay and PGMs as described below for fire and burglary monitoring and keyswitch remote arming.

After installation, for proper partition mapping onto Aryo cloud and keyswitch arming, follow the instructions below:

- *Partition mapping*: Operate on the alarm panel and trigger the signal transmitted through Surf-K/KM zone 2. Then, wait for the corresponding event on Aryo cloud, before initiating the next signal.
- *Keyswitch arming*: Arm/disarm the partition from the user app. Then, wait for confirmation events on Aryo cloud before initiating subsequent actions.

a. Wiring Diagram



**Colours are for demonstration purposes only*

b. Programming Instructions

i. Remote Arming via Keyswitch

Programming Description
Set a zone or input to momentary keyswitch arm.
Set PGM1 to arm status monitoring.
Enable keyswitch to arm in away mode only.

ii. For Monitoring via Relay

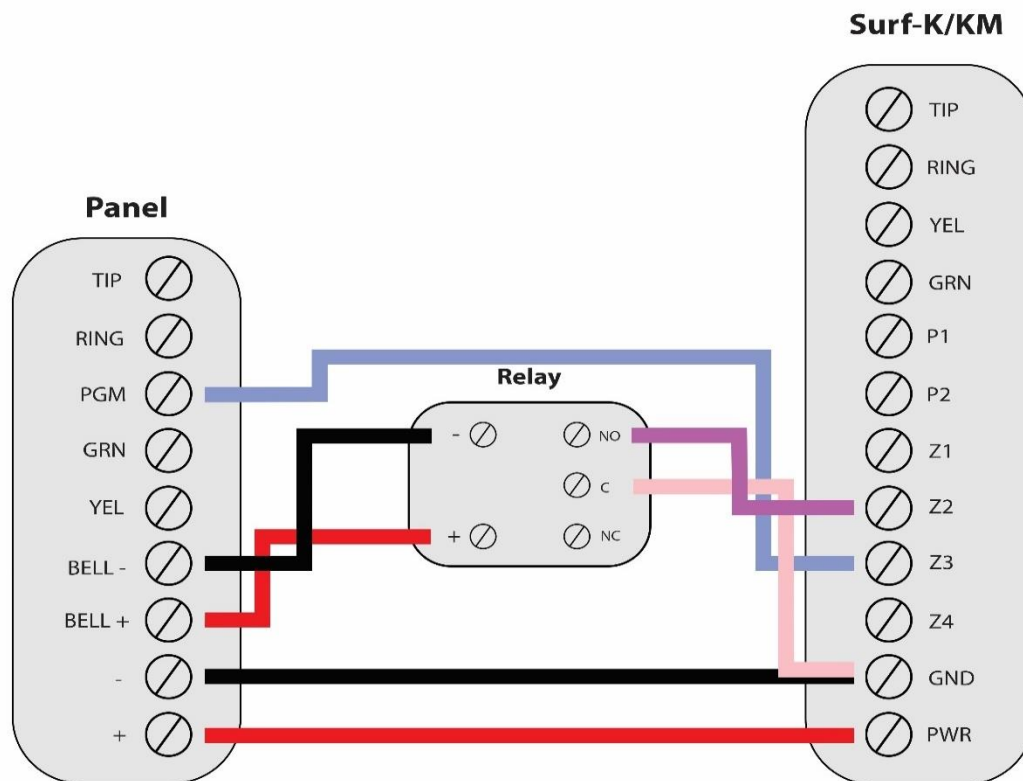
Programming Description
Set PGM2 to activate on fire alarms.
Enable bell audible panic alarm.
Disable telephone line troubles and monitoring.
Disable bell output for all other events.

2. Without Keyswitch

For legacy alarm panels without keyswitch, connect a relay as described below for fire and burglary monitoring.

To accurately map alarm panel partition onto Aryo cloud, operate on the alarm panel and trigger the signal transmitted through Surf-K/KM zone 2. Then, wait for the corresponding event on Aryo cloud, before initiating the next signal.

a. Wiring Diagram



**Colours are for demonstration purposes only*

b. Programming Instructions

i. For Monitoring via Relay

Programming Description
Set PGM2 to activate on fire alarms.
Enable bell audible panic alarm.
Disable telephone line troubles and monitoring.
Disable bell output for all other events.