



surf

LTE Alarm System Communicator

**DSC Alarm Panels
Installation Guide**

V1.6

Firmware V1.0

Contents

- 1. Dial Capture (Tip/Ring) Monitoring & Keyswitch..... 3
 - a. Wiring Diagram 3
 - i. PC1864/1832/1616/5010/5020/1565/1555/1575/585/580, ALEXOR, IMPASSA, NEO, SCW 9045/9047..... 3
 - ii. PC4020 MAXSYS 4
 - b. Programming Instructions 4
 - i. PC1864/1832/1616 4
 - ii. PC5010 5
 - iii. PC5020 5
 - iv. PC1575 6
 - v. PC1565/1555..... 6
 - vi. PC585/580..... 7
 - vii. ALEXOR (PC9155) 7
 - viii. IMPASSA (SCW9055/9057) 8
 - ix. NEO (HS2016/2032/2064/2128)..... 8
 - x. PC4020 MAXSYS (V3.5) 9
 - xi. SCW9045/9047 10

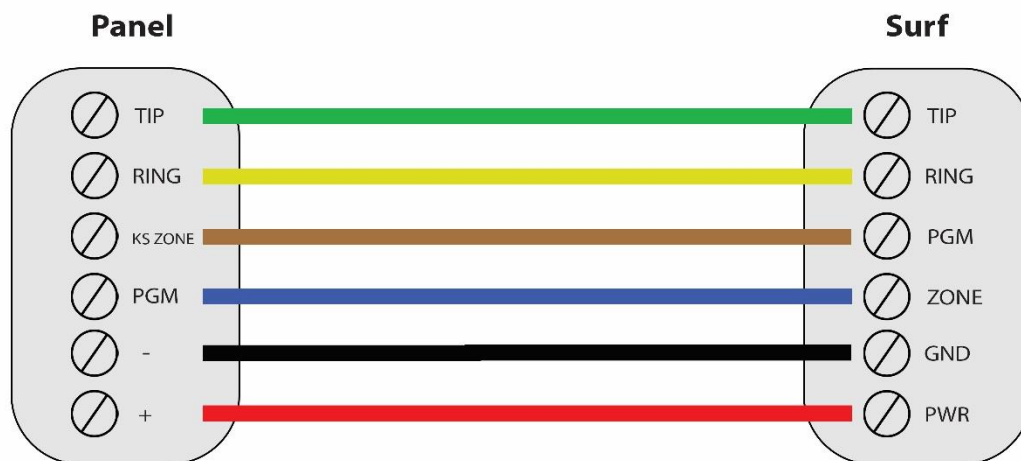
1. Dial Capture (Tip/Ring) Monitoring & Keyswitch

For DSC panels use Tip/Ring and keyswitch to monitor and control your system remotely. After installation, for proper partition mapping onto Aryo cloud and keyswitch arming, follow the instructions below:

- *Partition mapping:* Operate on the alarm panel and send signals from each partition. Then, wait for the corresponding event on Aryo cloud, before initiating the next signal.
- *Keyswitch arming:* Enable keyswitch arming for the intended partition via Aryo cloud settings. Arm/disarm the partition from the user app. Then, wait for confirmation events on Aryo cloud before initiating subsequent actions.

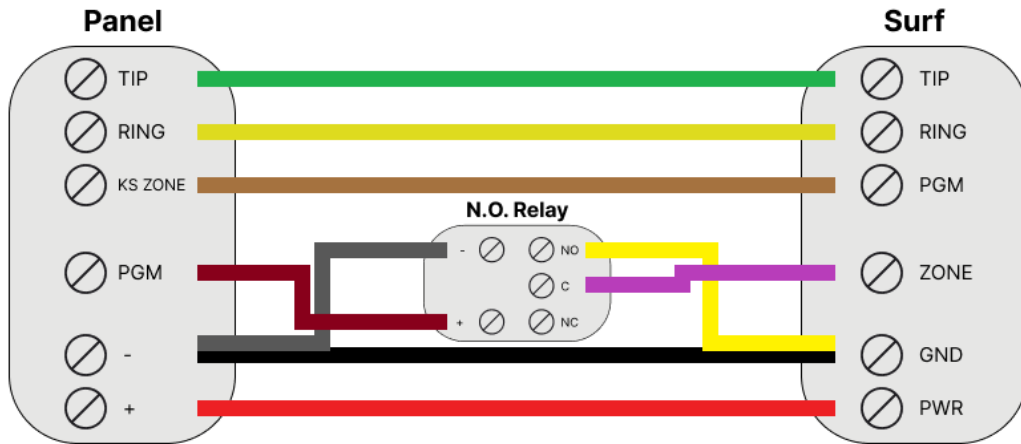
a. Wiring Diagram

- PC1864/1832/1616/5010/5020/1565/1555/1575/585/580, ALEXOR, IMPASSA, NEO, SCW 9045/9047



**Colours are for demonstration purposes only*

ii. PC4020 MAXSYS



**Colours are for demonstration purposes only*

b. Programming Instructions

To monitor DSC alarm panels with dial capture, program your system as described below. Instructions in *italics* are for optional remote arming with keyswitch. PGM on Surf can be connected to any zone programmed as keyswitch for remote arming functionality.

Note that the partition assigned for keyswitch arming (set on both Aryo cloud settings and panel programming), must be the same as the partition assigned for alarm panel PGM. In this programming section, it is assumed that the intended partition for alarm panel PGM1 is partition 1.

i. PC1864/1832/1616

Section	Description
[015]	Turn option 4 on, to enable quick arming, and options 7 and 8 off, to disable TLM.
[301]	Enter any phone number.
[310]	Enter a system account number.
[311] - [318]	Enter an account number for each partition if SIA format is not being used.
[350]	Enter 03 or 04 for CID or SIA reporting, respectively.
[351] - 358]	Turn option 1 on for each partition alarm/restore reporting.
[367]- [374]	Turn option 1 on for each partition open/close reporting.
[380]	Turn option 1 on to enable communicator for digital monitoring. Option 4 must be off.
[381]	Options 3 and 7 must be off for automatic SIA and CID reporting.

[001]	<i>Set a zone to 22 for keyswitch arming.</i>
[009]	<i>Set PGM1 to 05 for partition 1 armed status monitoring.</i>
[023]	<i>Turn on option 8 for keyswitch to arm in Away mode.</i>
[501]	<i>Option 3 must be on to enable true output.</i>
[551]	<i>Assign PGM1 to partition 1.</i>

ii. PC5010

If CID format is used, CID codes need to be programmed manually.

Section	
[015]	Turn option 4 on, to enable quick arming, and options 7 and 8 off, to disable TLM.
[301]	Enter any phone number.
[310]-[311]	Enter an account number for each partition if SIA format is not being used.
[360]	Enter 03 for CID reporting or 04 for SIA.
[361]-[362]	Turn option 1 on for each partition alarm/restore reporting.
[365]-[366]	Turn option 1 on for each partition open/close reporting.
[380]	Turn option 1 on to enable communicator for digital monitoring. Option 4 must be off.
[381]	Option 3 must be off for automatic SIA reporting.
[001]	<i>Set a zone to 22 for keyswitch arming.</i>
[009]	<i>Set PGM1 to 05 for partition 1 armed status monitoring.</i>
[141]	<i>Option 3 must be on to enable true output.</i>

iii. PC5020

Section	Description
[015]	Turn option 4 on, to enable quick arming, and options 7 and 8 off, to disable TLM.
[301]	Enter any phone number.
[310]	Enter a system account number.
[311]-[317]	Enter an account number for each partition if SIA format is not being used.
[350]	Enter 03 for CID reporting or 04 for SIA.
[351]-[358]	Turn option 1 on for each partition alarm/restore reporting.

[367]-[374]	Turn option 1 on for each partition open/close reporting.
[380]	Turn option 1 on to enable communicator for digital monitoring. Option 4 must be off.
[381]	Options 3 and 7 must be off for automatic SIA and CID reporting.
[001]	<i>Set a zone to 22 for keyswitch arming.</i>
[009]	<i>Set PGM1 to 05 for partition armed status monitoring.</i>
[501]	<i>Option 3 must be on to enable true output.</i>
[551]	<i>Assign PGM1 to partition 1.</i>

iv. PC1575

Section	Description
[08]	Turn options 5 and 6 off to disable TLM.
[10]	Turn option 6 on to enable quick arming.
[31]	Enter any phone number.
[34]	Enter a system account number.
[36]-[46]	Set reporting codes for all desired events (when using CID).
[50]	Enter 03 for CID reporting or 04 for SIA.
[51]	Turn on option 1 for alarm/restore reporting.
[53]	Turn option 1 on for open/close reporting.
[60]	Turn on options 1 and 2 to enable communicator for digital monitoring. Option 3 must be off.
[61]	Option 6 must be off for automatic SIA reporting codes.
[06]	<i>Set PGM1 to 06 for partition armed status monitoring, and PGM2 to 26 for keyswitch arming.</i>

v. PC1565/1555

Section	Description
[015]	Turn option 4 on, to enable quick arming, and options 7 and 8 off, to disable TLM.
[301]	Enter any phone number.
[310]	Enter a system account number.
[360]	Enter 03 for CID reporting or 04 for SIA.

[361]	Turn option 1 on for alarm/restore reporting.
[365]	Turn option 1 on for open/close reporting.
[380]	Turn option 1 on to enable communicator for digital monitoring. Option 4 must be off.
[381]	Options 3 and 7 must be off for automatic SIA and CID reporting.
[001]	<i>Set a zone to 22 for keyswitch arming.</i>
[009]	<i>Set PGM1 to 05 for partition armed status monitoring.</i>
[141]	<i>Option 3 must be on to enable true output.</i>

vi. PC585/580

Section	Description
[015]	Turn option 4 on, to enable quick arming, and options 7 and 8 off, to disable TLM.
[301]	Enter any phone number.
[310]	Enter a system account number.
[360]	Enter 03 for CID reporting or 04 for SIA.
[361]	Turn option 1 on for each partition alarm/restore reporting.
[365]	Turn option 1 on for each partition open/close reporting.
[380]	Turn option 1 on to enable communicator for digital monitoring. Option 4 must be off.
[381]	Options 3 and 7 must be off for automatic SIA and CID reporting.
[001]	<i>Set a zone to 22 for keyswitch arming.</i>
[009]	<i>Set PGM1 to 05 for partition armed status monitoring.</i>
[141]	<i>Option 3 must be on to enable true output.</i>

vii. ALEXOR (PC9155)

Section	Description
[015]	Turn option 4 on, to enable quick arming, and option 7 off, to disable TLM.
[301]	Enter any phone number.
[310]	Enter a system account number.
[350]	Enter 03 for CID reporting or 04 for SIA.
[351]	Turn option 1 on for alarm/restore reporting.

[367]	Turn option 1 on for open/close reporting.
[380]	Turn option 1 on to enable communicator for digital monitoring.
[381]	Options 3 and 7 must be off for automatic SIA and CID reporting.
[001]	<i>Set a zone to 22 for keyswitch arming.</i>
[009]	<i>Set PGM1 to 05 for partition armed status monitoring.</i>
[023]	<i>Turn on option 8 for keyswitch to arm in Away mode.</i>
[501]	<i>Option 3 must be on to enable true output.</i>

viii. IMPASSA (SCW9055/9057)

Section	Description
[015]	Turn option 4 on, to enable quick arming, and option 7, to disable TLM.
[301]	Enter any phone number.
[310]	Enter a system account number.
[350]	Enter 03 for CID reporting or 04 for SIA.
[351]	Turn option 1 on for alarm/restore reporting.
[367]	Turn option 1 on for open/close reporting.
[380]	Turn option 1 on to enable communicator for digital monitoring.
[381]	Options 3 and 7 must be off for automatic SIA and CID reporting.
[001]	<i>Set a zone to 22 for keyswitch arming.</i>
[009]	<i>Set PGM1 to 05 for armed status monitoring.</i>
[023]	<i>Turn on option 8 for keyswitch to arm in Away mode.</i>
[501]	<i>Option 3 must be on to enable true output.</i>

ix. NEO (HS2016/2032/2064/2128)

Section	Description
[015]	Turn option 4 on, to enable quick arming, and options 7 and 8 off, to disable TLM.
[301]	Enter any phone number.
[308]	Program all event reporting.
[310]	Enter a system account number (first entry) and an account number for each active partition.

[311]-[318]	Turn on option 1 for each partition alarm/restore (first entry) and open/close (third entry) reporting.
[350]	Enter 03 for CID reporting or 04 for SIA.
[380]	Turn option 1 on to enable communicator for digital monitoring. Option 4 must be off.
[001]	<i>Set a zone to 66 for keyswitch arming.</i>
[007]	<i>Assign PGM1 to partition 1.</i>
[009]	<i>Set PGM1 to 115 for partition armed status monitoring.</i>
[010]	<i>Option 1 must be on for 001 (PGM1) subsection, to enable true output.</i>
[022]	<i>Turn on option 8 for keyswitch to arm in Away mode.</i>

x. **PC4020 MAXSYS (V3.5)**

Section	Description
To Program using reference numbers	Enter installer's programming ([*][8][Installer's Code]). Then, press and hold the [A]uxiliary key until the keypad displays the following message: "Enter Ref # then *."
[0004000000]	Enter any phone number.
[0004000001]	Enter 04 for CID or 05 for SIA format.
[00040003]	Enter a system account number. Substitute the HEX digit "A" for the zero (0).
[01000100]- [01000800]	Enter an account number for each active partition.
[000401]	Enable "DTMF Dialing", "SIA 1 Account#", "AutoReport SIA", and "Auto Contact ID" options, and disable "TLM Enabled" option.
[0004000002]	Enable alarm/restore and open/close reporting.
[000700]	<i><u>A relay must be used for partition1,</u></i> <i><u>Normally open relay</u></i> <i>For partition 1, Program 06 (armed status) for PGM1.</i> <i><u>Normally close relay</u></i> <i>For partition 1, Program 07 (inverted armed status) for PGM1.</i>
[0100010300]	<i>Set a zone to 26 for momentary keyswitch arming on partition 1*.</i>

*Need to set to 25 for momentary keyswitch, if the version is 3.0. Refer to the corresponding manuals for other versions.

xi. SCW9045/9047

Section	Description
[015]	Turn option 4 on, to enable quick arming, and option 7, to disable TLM.
[301]	Enter any phone number.
[310]	Enter system account number.
[350]	Enter 03 for CID or 04 for SIA.
[351]	Turn option 1 on for alarm/restore reporting.
[367]	Turn option 1 on for open/close reporting.
[380]	Turn option 1 on to enable communicator for digital monitoring.
[381]	Options 3 and 7 must be off for automatic SIA and CID reporting codes.
<i>[001]</i>	<i>Set a zone to 22 for keyswitch arming.</i>
<i>[009]</i>	<i>Set PGM1 to 05 for partition armed status monitoring.</i>
<i>[023]</i>	<i>Turn on option 8 for keyswitch to arm in Away mode.</i>
<i>[501]</i>	<i>Option 3 must be on to enable true output.</i>