



# **aero-k**

*Wi-Fi/Ethernet Alarm System Communicator*

## **Interlogix Alarm Panels Installation Guide**

V1.6

Firmware V1.0

# Contents

- 1. Dial Capture (Tip/Ring) Monitoring & Keyswitch..... 3
  - a. Wiring Diagram ..... 3
    - i. Concord/Concord Express..... 3
    - ii. NX4/NX6V2/NX8\_8V2/NX8E..... 4
  - b. Programming Instructions ..... 4
    - i. Concord ..... 4
    - ii. Concord Express..... 5
    - iii. NX4..... 5
    - iv. NX6V2/NX8\_8V2/NX8E ..... 6
- 2. Dial Capture (Tip/Ring) Monitoring ..... 6
  - a. Wiring Diagram ..... 7
    - i. Simon XT/XTi/XTi-5 ..... 7
  - b. Programming Instructions ..... 7
    - i. Simon XT/XTi/XTi-5 ..... 7

# 1. Dial Capture (Tip/Ring) Monitoring & Keyswitch

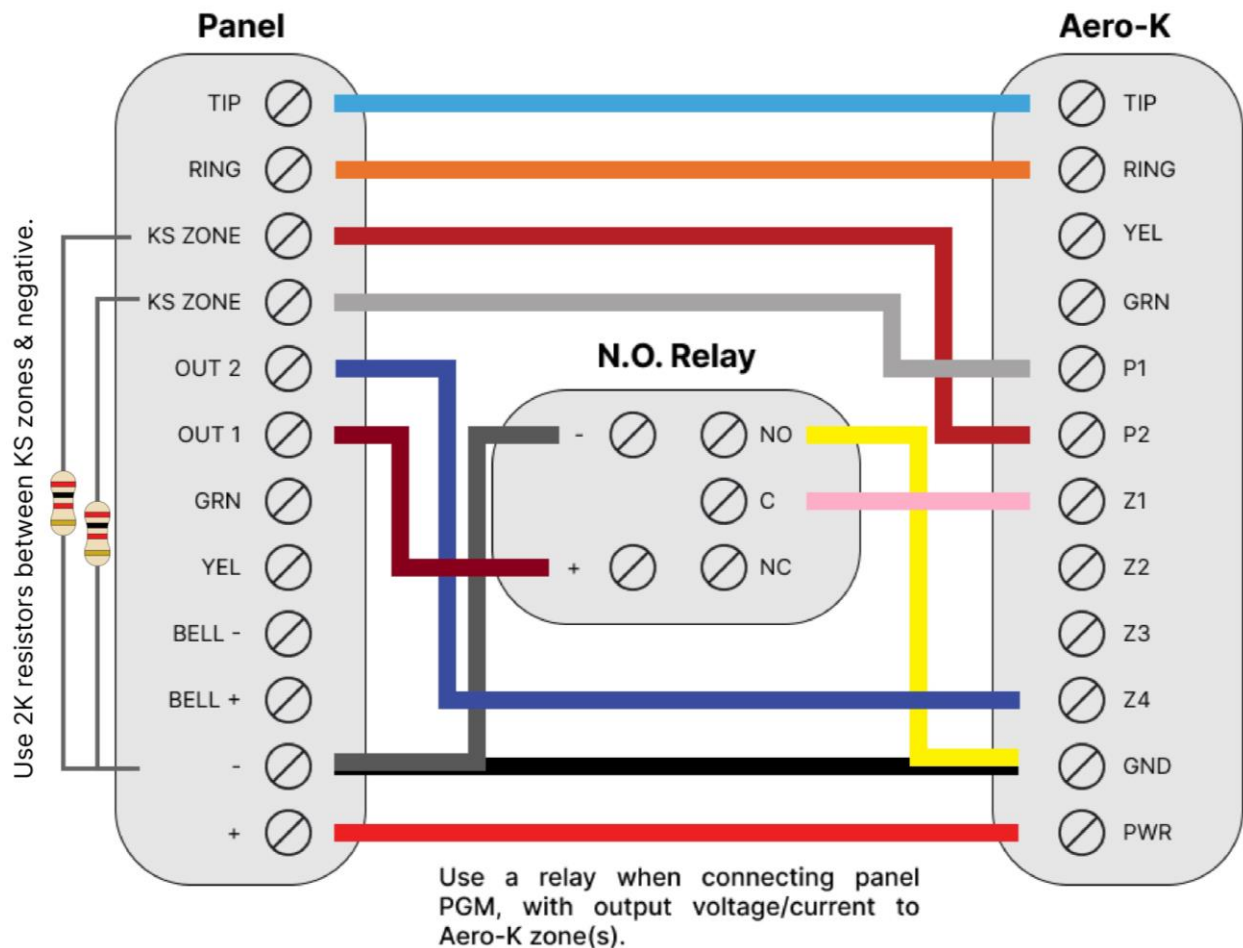
For Interlogix panels that support CID or SIA format, use Tip/Ring and keyswitch to monitor and control your system remotely.

After installation, for proper partition mapping onto Aryo cloud and keyswitch arming, follow the instructions below:

- *Partition mapping:* Operate on the alarm panel and send signals from each partition. Then, wait for the corresponding event on Aryo cloud, before initiating the next signal.
- *Keyswitch arming:* Enable keyswitch arming for the intended partitions via Aryo cloud settings. Arm/disarm each partition (if applicable) from the user app. Then, wait for confirmation events on Aryo cloud before initiating subsequent actions.

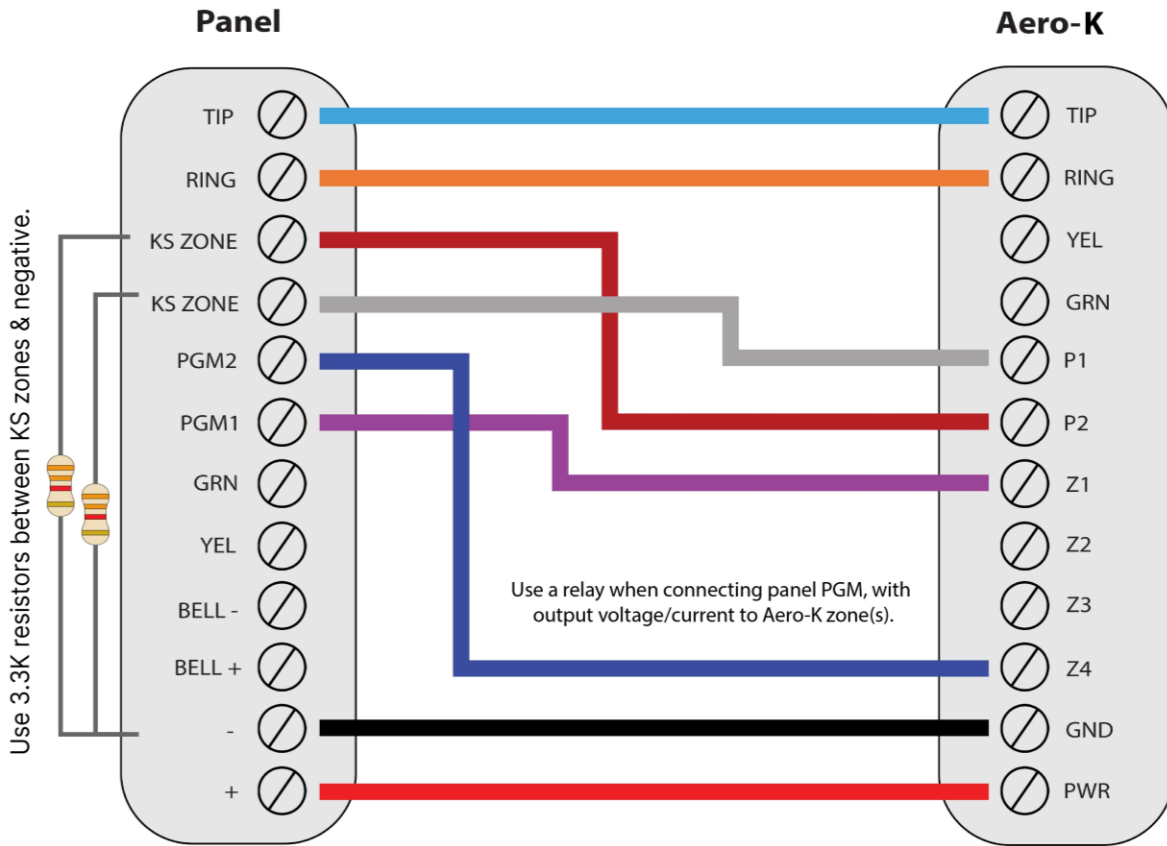
## a. Wiring Diagram

### i. Concord/Concord Express



\*Colours are for demonstration purposes only

ii. NX4/NX6V2/NX8\_8V2/NX8E



\*Colours are for demonstration purposes only

**b. Programming Instructions**

To monitor Interlogix alarm panels with dial capture, program your system as described below. Instructions in *italics>* are for optional remote arming with keyswitch. PGMs on Aero-K can be connected to any zone programmed as keyswitch for remote arming functionality.

**i. Concord**

Section	Description
0010-0060	Enter an account number for each partition.
01000	Enter any phone number.
01001	Turn on to enable high-level reports.
01004	Turn on to enable open/close reports.
01006	Enter 1 for SIA or 2 for CID reporting.

06100-06600	Turn on to enable opening reports.
06101-06601	Turn on to enable closing reports.
0014	Assign a keyswitch zone to partition 1.
0024	Assign a keyswitch zone to partition 2
0015-0025	Enter 1 to set the keyswitch style to Transition.
080 or 083	Program (learn) or edit the keyswitch zone to G28 NC.
11100 (11110 for partition 2)	<b><u>A relay must be used for OUT1, due to voltage presence.</u></b> Assign OUT1 to partition 1 (OUT2 to partition 2).
11101 (11111 for partition 2)	Set OUT1 (and OUT2) configuration to 00903 to monitor armed status.

ii. **Concord Express**

Section	Description
0010	Enter an account number for the panel.
0100	Enter any phone number.
0101	Turn on to enable high-level reports.
0103	Turn on to enable open/close reports.
0105	Enter 1 for SIA or 2 for CID reporting.
0510	Turn on to enable opening reports.
0511	Turn on to enable closing reports.
0015	Assign a keyswitch zone to partition 1.
070 or 073	Program (learn) or edit the keyswitch zone to G28 NC.
09110	Set OUT2 configuration to 00903 to monitor armed status.

iii. **NX4**

Section	Description
Location 0	Enter any phone number.
Location 1	Enter an account number.

Location 2	Select 13 for CID or 14 for SIA reporting.
Location 4 Segment 1	Select options 1 and 2 to enable alarm/restore and open/close reports.
Location 23 Segment 3	Select options 1 and 3 to enable open/close and alarm restore reports.
Location 47- 48	Set an AUX output to 21 for system armed status monitoring.
Location 110-169 (odd- numbered locations)	Enter 3 to set a zone to keyswitch for remote arming.

**iv. NX6V2/NX8\_8V2/NX8E**

<b>Section</b>	<b>Description</b>
Location 0	Enter any phone number.
Location 1	Enter an account number.
Location 2	Select 13 for CID or 14 for SIA reporting.
Location 4 Segment 1	Select options 1 and 2 to enable alarm/restore and open/close reports.
Location 23 Segment 3	Select options 1 and 3 to enable open/close and alarm restore reports.
Location 26	Assign a partition to each zone.
Location 45	Assign a partition to each AUX output.
Location 47- 48	Set an AUX output to 21 for partition 1 armed status monitoring (set another for partition 2).
Location 110-169 (odd- numbered locations)	Enter 3 to set a zone to Keyswitch for partition 1 remote arming (set another for partition 2).

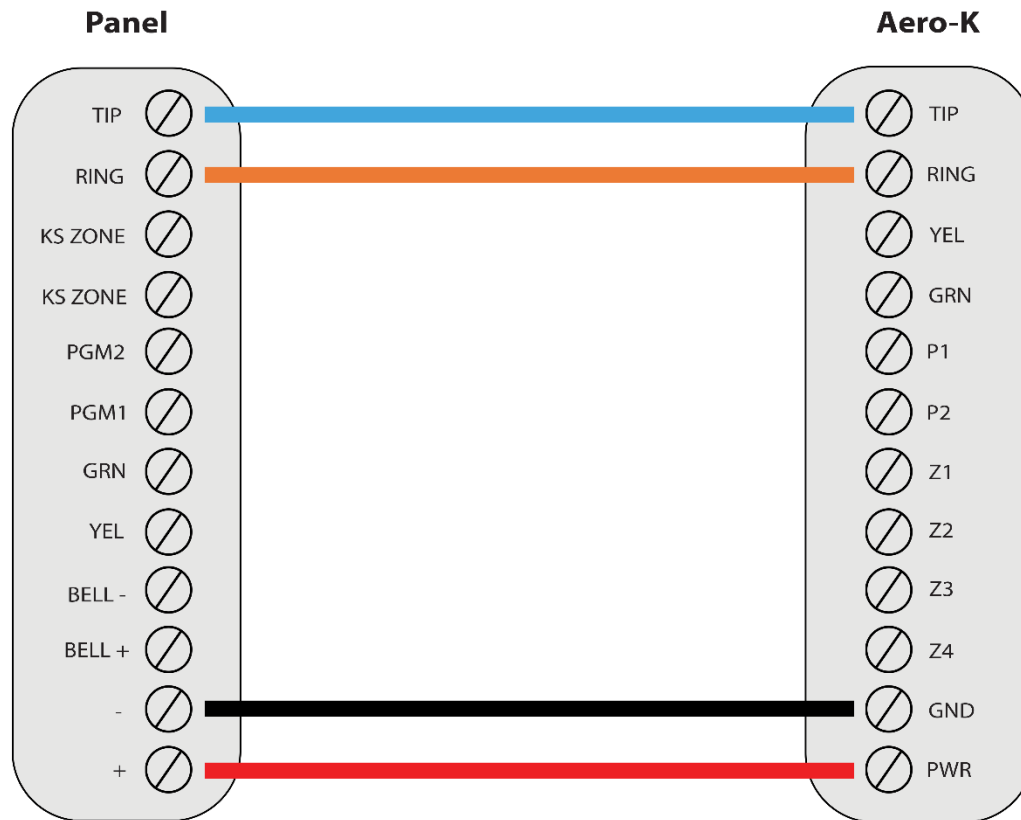
## **2. Dial Capture (Tip/Ring) Monitoring**

For Interlogix alarm panels that support CID or SIA format without keyswitch, use Tip/Ring to monitor your system remotely.

To accurately map alarm panel partitions onto Aryo cloud, operate on the alarm panel and send signals from each partition. Then, wait for the corresponding event on Aryo cloud, before initiating the next signal.

## a. Wiring Diagram

### i. Simon XT/XTi/XTi-5



*\*Colours are for demonstration purposes only*

## b. Programming Instructions

To monitor Interlogix alarm panels with dial capture, program your system as described below.

### i. Simon XT/XTi/XTi-5

Section	Description
Phone #1	Enter any phone number.
Account Number	Enter an account number.
Phone 1 Report Mode	Set reporting mode to All CID or All SIA.

DTMF Dial	Turn on to enable DTMF dialing.
Opening Reports	Turn on to enable opening reports.
Closing Reports	Turn on to enable closing reports.