



aero-k

Wi-Fi/Ethernet Alarm System Communicator

Honeywell Alarm Panels Installation Guide

V1.6

Firmware V1.0

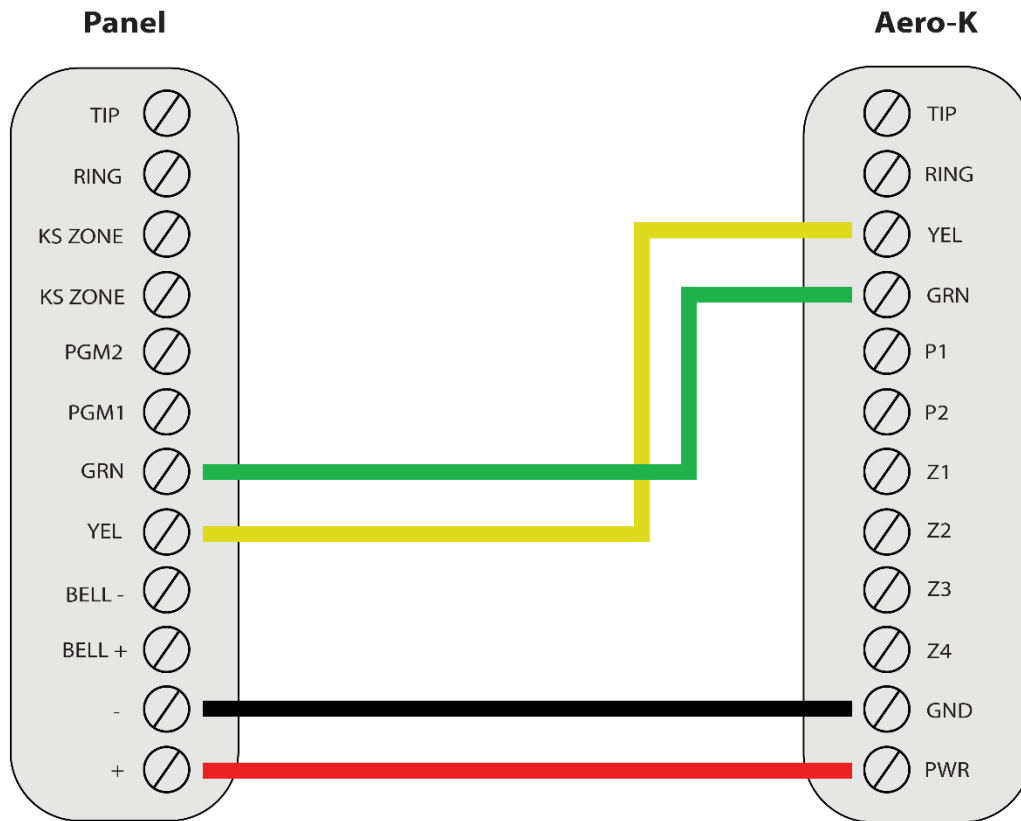
Contents

1. Keybus Monitoring.....	3
a. Wiring Diagram	3
b. Programming Instructions	3
i. Vista 10P/15P/20P/21iP.....	4
2. Keybus & Digital Account Monitoring.....	5
a. Wiring Diagram	5
b. Programming Instructions	5
i. Vista 10P/15P/20P/21iP.....	6
3. Keybus & Dial Capture (Tip/Ring)	7
a. Wiring Diagram	7
i. Vista 50P.....	7
b. Programming Instructions	8
i. Vista 50P.....	8
4. Dial Capture (Tip/Ring) Monitoring & Keyswitch.....	8
a. Wiring Diagram	9
i. Vista 40.....	9
b. Programming Instructions	9
i. Vista 40.....	9
5. Dial Capture (Tip/Ring) Monitoring	10
a. Wiring Diagram	11
i. FA162C, Vista 10/10SE/15/15SE/VIA30, FA147C/148C, LYNX 5100/5210	11
b. Programming Instructions	11
i. FA162C	11
ii. Vista 10/10SE, VIA30, FA147C/148C.....	12
iii. Vista 15/15SE	12
iv. LYNX 5100/5210.....	12

1. Keybus Monitoring

Honeywell alarm panels can be connected to Aero-K via keybus to monitor and control your system remotely.

a. Wiring Diagram



**Colours are for demonstration purposes only*

b. Programming Instructions

Keybus-compatible Honeywell alarm panels:

Vista 10P, Vista 15P, Vista 20P, Vista 21iP, Vista 48LA, Vista 32FB/128FBP, Vista 128BP/250BP/128 SIA, Safewatch Pro2000, Safewatch Pro 3000

i. Vista 10P/15P/20P/21iP

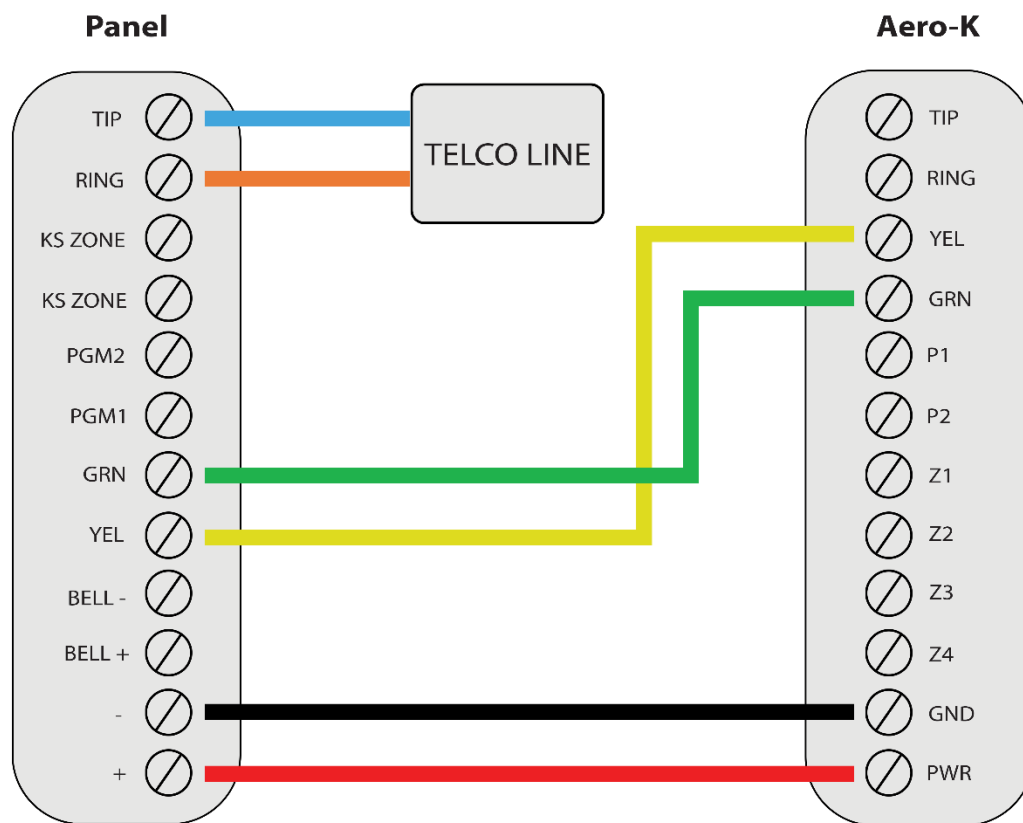
Section	Description	Vista-10P	Vista-15P	Vista-20P	Vista-21iP
*23	Enter 1 for each entry to enable quick bypass.	0	0	0	0
29	Enter 1 to enable long range radio.	0	0	0	0
*41	Enter * and ensure no number is registered.	0	0	0	0
*48	Enter 7 to set the communication format to CID for each entry.	0	0	0	0
*49	Enter 0 to set Split/Dual Report all to primary.	0	0	0	0
*50	Enter 0 for dialer delay.	0	0	0	0
*55	Enter 1 to give the priority to the long-range radio.	0	0	0	0
*64	Enter 1 for each entry to enable test report.	0	0	0	0
*65	Enter 1 1 0 (if applicable) to enable open reporting and disable reporting for the common partition.	0	0	0	0
*66	Enter 1 1 0 (if applicable) to enable close reporting and disable reporting for the common partition.	0	0	0	0
*70	Enter 1 for each entry to enable alarm restore reporting.	0	0	0	0
*91	Enter 0 0 for RIS (Remote Interactive Services).		0	0	0
*92	Enter 0,0 to disable Telco Monitoring.		0	0	0
*189	Enter 1 in each entry, for AUI (Advanced User Interface).		0	0	0
*190 (partition 2)	Enter 20 to set Keypad 2 at address 17 to partition 2.			0	0
*195 (partition 1)	Enter 10 to set Keypad 7 at address 22 to partition 1.	0	0	0	0
*196 (partition 2)	Enter 20 to set Keypad 8 at address 23 to partition 2.			0	0
*198	Enter 1 to display partition number.			0	0

*99	To exit programming.	o	o	o	o
Internal IP/GSM Jumper	Set the jumper to off setting to disable Internal IP communicator.				o

2. Keybus & Digital Account Monitoring

Honeywell panels can be connected to Aero-K via keybus alongside an existing digital account to monitor and control your system remotely.

a. Wiring Diagram



**Colours are for demonstration purposes only*

b. Programming Instructions

If your Honeywell alarm panel is connected to an external phone line with a digital account, connect the Aero-K device using the 4-wire keybus configuration above, and follow the programming instructions described here.

i. Vista 10P/15P/20P/21iP

Section	Description	Vista-10P	Vista-15P	Vista-20P	Vista-21iP
*23	Enter 1 for each entry to enable quick bypass.	0	0	0	0
29	Enter 1 to enable long range radio.	0	0	0	0
*41	Enter * and ensure no number is registered.	0	0	0	0
*48	Enter 7 to set the communication format to CID for each entry.	0	0	0	0
*49	Enter 0 to set Split/Dual Report all to primary.	0	0	0	0
*50	Enter 0 for dialer delay.	0	0	0	0
*55	Enter 1 to give the priority to the long-range radio.	0	0	0	0
*64	Enter 1 for each entry to enable test report.	0	0	0	0
*65	Enter 1 1 0 (if applicable) to enable open reporting and disable reporting for the common partition.	0	0	0	0
*66	Enter 1 1 0 (if applicable) to enable close reporting and disable reporting for the common partition.	0	0	0	0
*70	Enter 1 for each entry to enable alarm restore reporting.	0	0	0	0
*91	Enter 0 0 for RIS (Remote Interactive Services).		0	0	0
*92	Enter 0,0 to disable Telco Monitoring.		0	0	0
*189	Enter 1 in each entry, for AUI (Advanced User Interface).		0	0	0
*190 (partition 2)	Enter 20 to set Keypad 2 at address 17 to partition 2.			0	0
*195 (partition 1)	Enter 10 to set Keypad 7 at address 22 to partition 1.	0	0	0	0
*196 (partition 2)	Enter 20 to set Keypad 8 at address 23 to partition 2.			0	0

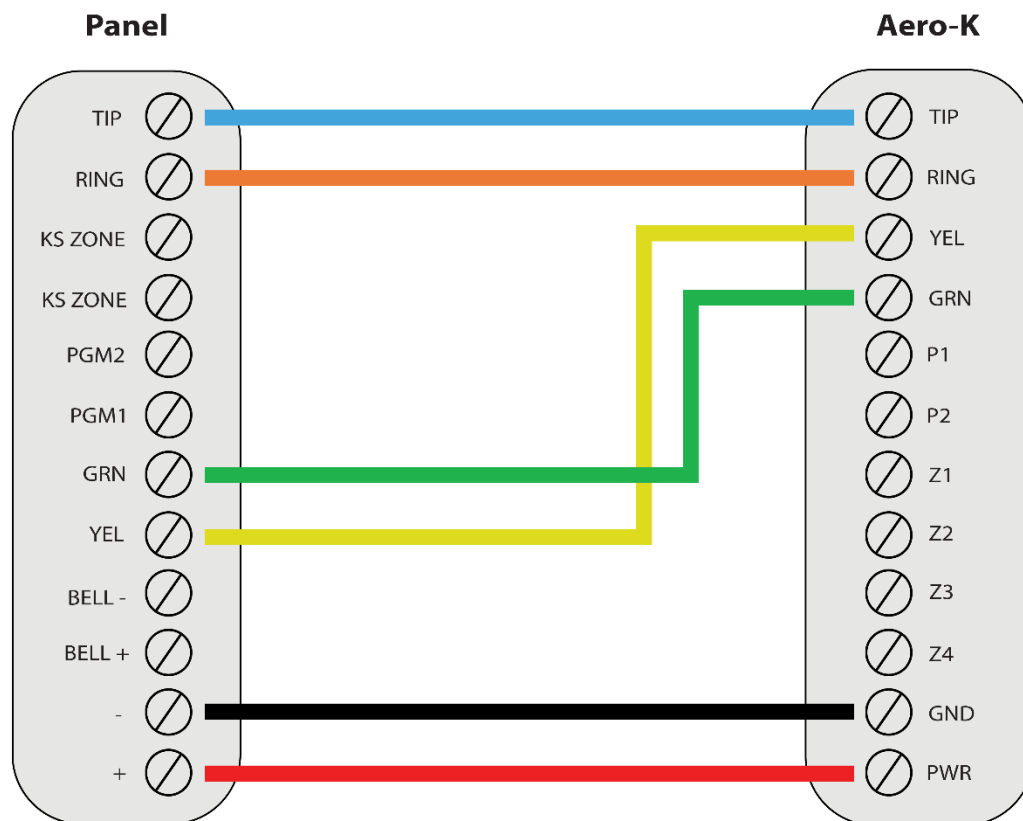
*198	Enter 1 to display partition number.			o	o
*99	To exit programming.	o	o	o	o
Internal IP/GSM Jumper	Set the jumper to off setting to disable Internal IP communicator.				o

3. Keybus & Dial Capture (Tip/Ring)

Some Honeywell panels connected to keybus may also need to be connected to Tip/Ring for dial capture monitoring. Wiring and programming instructions are described below.

a. Wiring Diagram

i. Vista 50P



**Colours are for demonstration purposes only*

b. Programming Instructions

i. Vista 50P

Section	Description
*32	Enter a system account number.
*33	Enter any phone number.
*45	Set the report format to 1 for CID.
*79-*80	Enter 1 to enable alarm restore reporting for all zone types.
*81	Enter 1 to for both open and close reports.

4. Dial Capture (Tip/Ring) Monitoring & Keyswitch

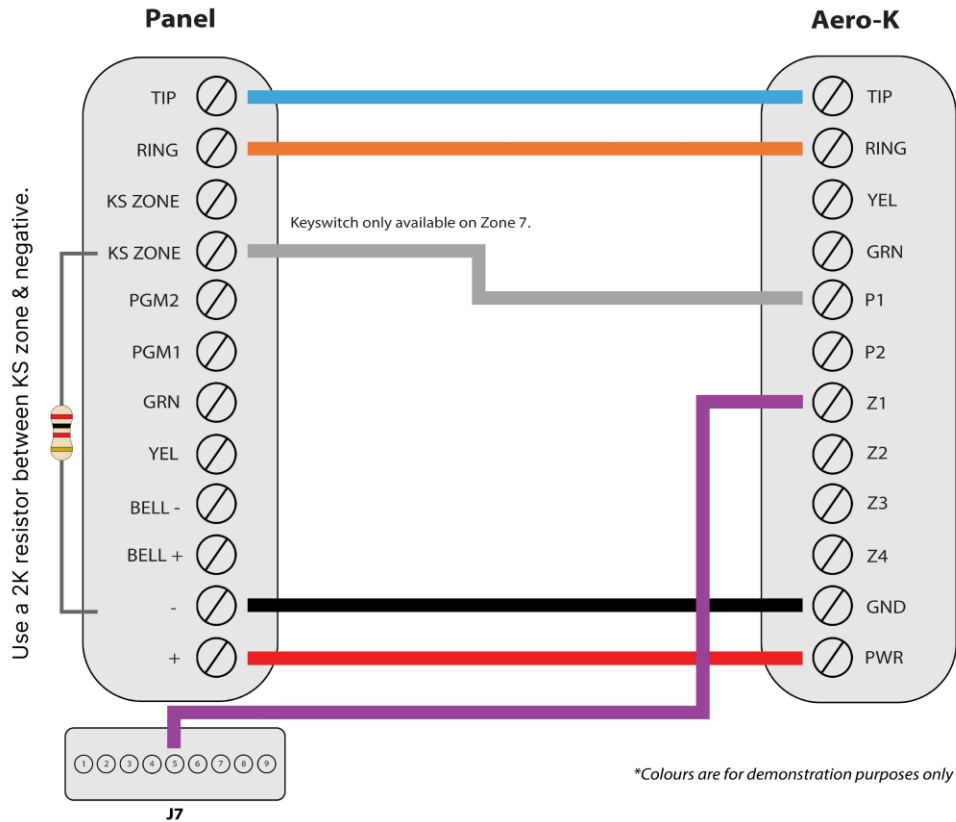
For Honeywell alarm panels that do not support keybus, use Tip/Ring and keyswitch to monitor and control your system remotely.

After installation, for proper partition mapping onto Aryo cloud and keyswitch arming, follow the instructions below:

- *Partition mapping:* Operate on the alarm panel and send signals from each partition. Then, wait for the corresponding event on Aryo cloud, before initiating the next signal.
- *Keyswitch arming:* Enable keyswitch arming for the intended partitions via Aryo cloud settings. Arm/disarm each partition (if applicable) from the user app. Then, wait for confirmation events on Aryo cloud before initiating subsequent actions.

a. Wiring Diagram

i. Vista 40



b. Programming Instructions

To monitor Honeywell alarm panels with dial capture, program your system as described below. Instructions in *italics>* are for optional remote arming with keyswitch. PGMs on Aero-K can be connected to any zone programmed as keyswitch for remote arming functionality.

i. Vista 40

Section	Description
*32	Enter a system account number.
*33	Enter any phone number.
*45	Set the report format to 1 for CID.
*54	Enter 11 to enable reporting for all zones in partition 1.
*79-*80	Enter 1 to enable alarm restore reporting for all zone types.

*81	Enter 11 to for both open and close reports
*15	<i>Enter 1 to enable keyswitch for partition 1.</i>
*40	<i>Enter 1 to enable open/close reporting for keyswitch.</i>
1*46	<i>Set Out 1 function to 1 for keyswitch armed status monitoring.</i>
2*20	<i>Enter 1 to enable J7 triggers.</i>

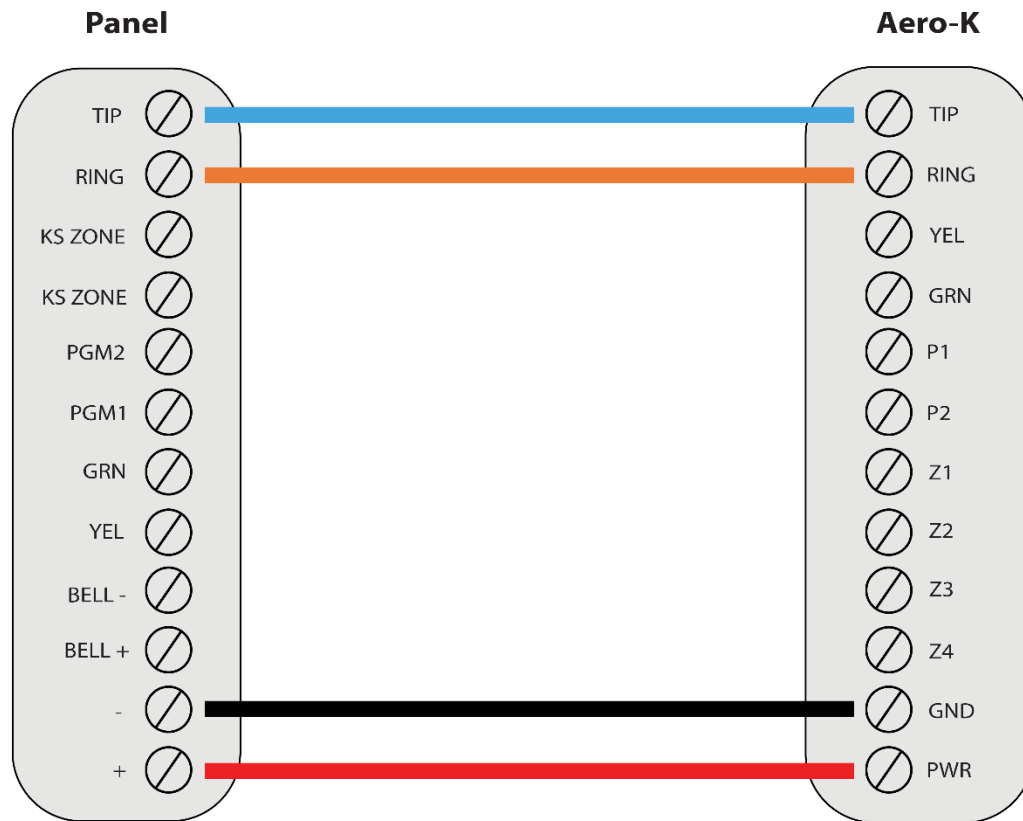
5. Dial Capture (Tip/Ring) Monitoring

For Honeywell alarm panels that do not support keyswitch, use Tip/Ring to monitor your system remotely.

To accurately map alarm panel partitions onto Aryo cloud, operate on the alarm panel and send signals from each partition. Then, wait for the corresponding event on Aryo cloud, before initiating the next signal.

a. Wiring Diagram

i. FA162C, Vista 10/10SE/15/15SE/VIA30, FA147C/148C, LYNX 5100/5210



**Colours are for demonstration purposes only*

b. Programming Instructions

To monitor Honeywell alarm panels with dial capture, program your system as described below.

i. FA162C

Section	Description
*41	Enter any phone number.
*43	Enter an account number for the panel.
*48	Set the report format to 7 for CID reporting.
*65-66	Enter 1 in each entry to enable open/close reporting.
*70	Enter 1 to enable alarm restore reporting.

ii. **Vista 10/10SE, VIA30, FA147C/148C**

Section	Description
*41	Enter any phone number.
*43	Enter an account number for the panel.
*46	Set the report format to 07 for CID reporting.
*65-66	Enter 1 in each entry to enable open/close reporting.
*70	Enter 1 to enable alarm restore reporting.

iii. **Vista 15/15SE**

Section	Description
*41	Enter any phone number.
*43	Enter an account number for the panel.
*46	Set the report format to 07 for CID reporting.
*65-66	Enter 1 in each entry to enable open/close reporting.
*70	Enter 1 to enable alarm restore reporting.
*92	Set to 0 to disable TLM.

iv. **LYNX 5100/5210**

Section	Description
Reporter – Primary CS Info – Phone type	Set to CID 4 digit or SIA.
Reporter – Primary CS Info – Phone Number	Enter any phone number.
Reporter – Primary CS Info – Account Number	Enter an account number for the panel.
Reporter – Primary CS Info – Report Alarms	Enable alarm reporting.
Reporter – Primary CS Info – Report Open/Close	Enable open/close reporting.
Reporter – Report Selection	Enable open/close and alarm/restore reporting.