



aero-k

Wi-Fi/Ethernet Alarm System Communicator

DSC Alarm Panels Installation Guide

V1.6

Firmware V1.0

Contents

1.	DSC PowerSeries Alarm Panels	4
a.	Keybus Monitoring.....	4
i.	Wiring Diagram	4
ii.	Programming Instructions	4
b.	Keybus & Digital Account Monitoring.....	5
i.	Wiring Diagram	5
ii.	Programming Instructions	5
c.	Keybus & Dial Capture (Tip/Ring) Monitoring	5
i.	Wiring Diagram	6
ii.	Programming Instructions	6
1.	PC1864/1832/1616/5010/5020/1575/1565/1555/585/580.....	6
2.	PC5010	7
3.	PC5020	7
4.	PC1575	8
5.	PC1565/1555.....	8
6.	PC585/580.....	8
2.	DSC Alarm Panels	9
a.	Dial Capture (Tip/Ring) Monitoring & Keypad.....	9
i.	Wiring Diagram	10
1.	ALEXOR, IMPASSA, NEO, SCW9045/9047	10
2.	PC4020 MAXSYS	11
ii.	Programming Instructions	11
1.	ALEXOR (PC9155)	11
2.	IMPASSA (SCW9055/9057)	12
3.	NEO (HS2016/2032/2064/2128).....	12
4.	PC4020 MAXSYS (V3.5)	13
5.	SCW9045/9047	14
3.	DSC Legacy Alarm Panels	14
a.	With Keypad	14
i.	Wiring Diagram	15
1.	PC2525	15

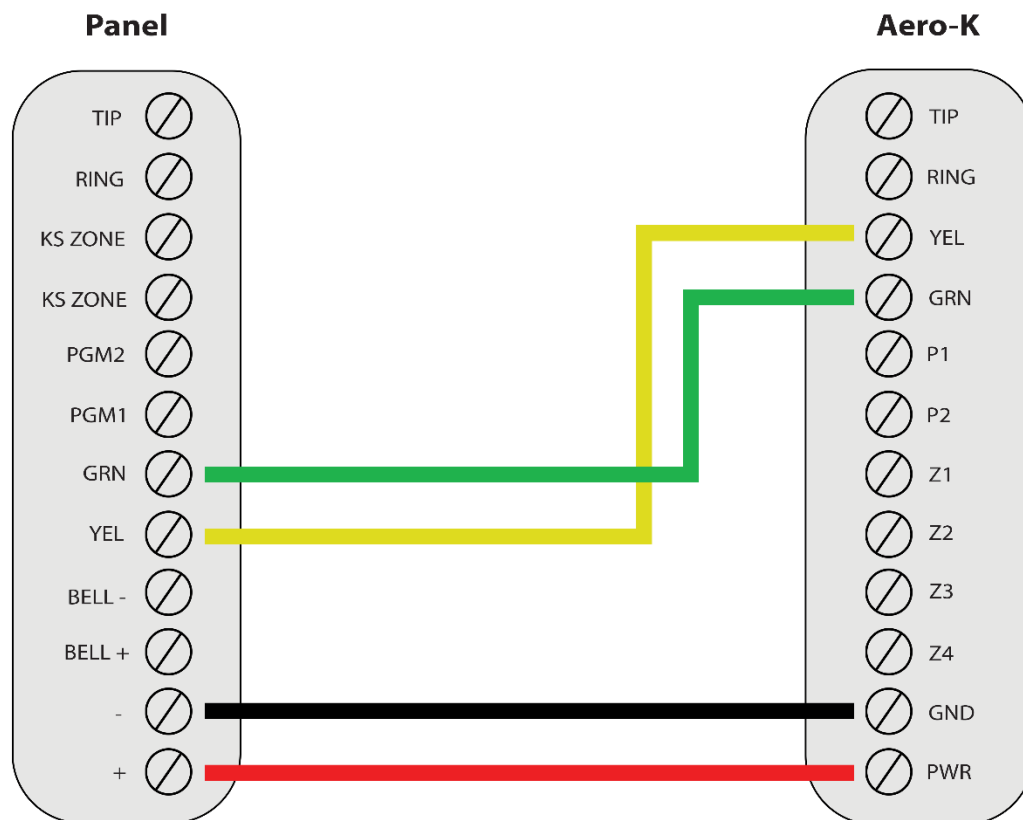
2. PC 2550/3000.....	16
ii. Programming Instructions	16
1. PC2525	16
2. PC2550	17
3. PC3000	17
b. Without Keyswitch	17
i. Wiring Diagram	18
1. PC1550/1500.....	18
ii. Programming Instructions	18
1. PC1550/1500.....	18

1. DSC PowerSeries Alarm Panels

a. Keybus Monitoring

DSC PowerSeries alarm panels can be connected to Aero-K via keybus terminals to monitor and control the alarm system remotely. All keybus functionalities are also available for users on the app.

i. Wiring Diagram



**Colours are for demonstration purposes only*

ii. Programming Instructions

Make sure to disable communications and program the alarm panel as a local system. No further programming is required for keybus monitoring of DSC PowerSeries panels.

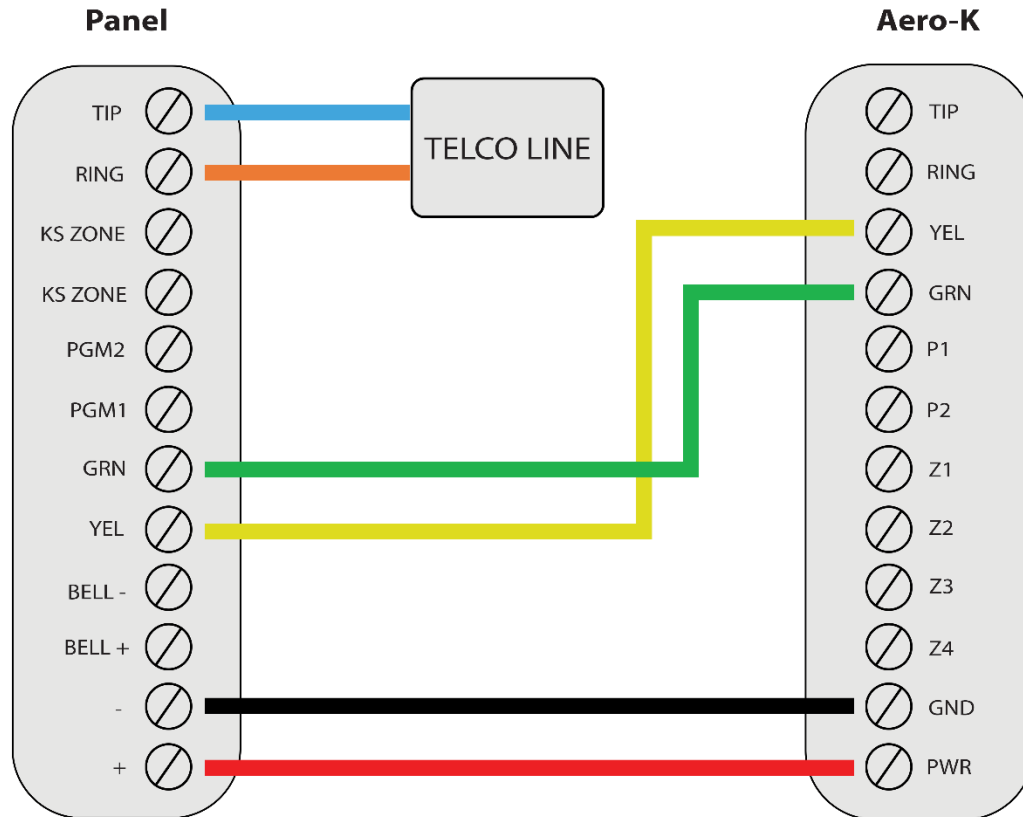
Keybus-compatible DSC PowerSeries alarm panels:

PC1864, PC1832, PC1616, PC5020, PC5010, PC1575, PC1565, PC1555, PC585, PC580

b. Keybus & Digital Account Monitoring

When DSC PowerSeries alarm panels are connected to Aero-K via keybus, a digital account with phone line can co-exist providing a backup communication to monitor and control the system remotely.

i. Wiring Diagram



**Colours are for demonstration purposes only*

ii. Programming Instructions

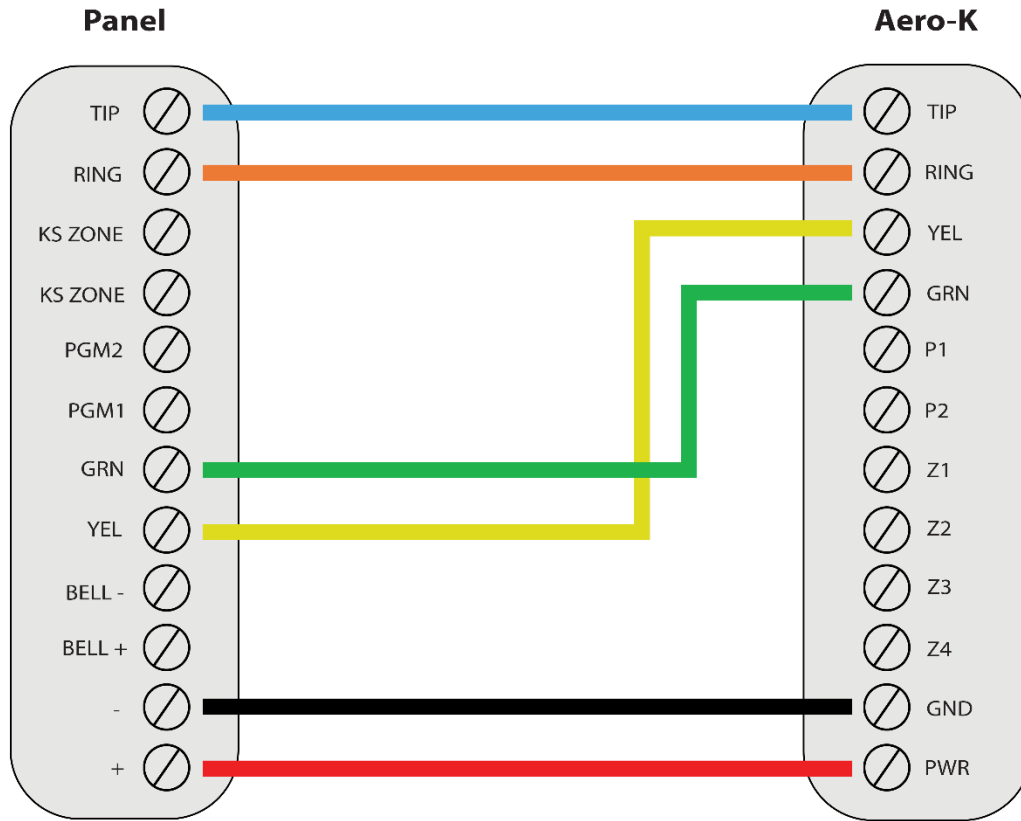
If the DSC PowerSeries alarm panel is connected to a land line via Tip/Ring, connect the Aero-K using the 4-wire configuration above. Program the panel for digital account.

c. Keybus & Dial Capture (Tip/Ring) Monitoring

PowerSeries alarm panels connected to keybus can also be connected to Tip/Ring on Aero-K for monitoring. Wiring and programming instructions are described below.

i. Wiring Diagram

1. PC1864/1832/1616/5010/5020/1575/1565/1555/585/580



**Colours are for demonstration purposes only*

ii. Programming Instructions

1. PC1864/1832/1616

Section	Description
[015]	Turn option 4 on, to enable quick arming, and options 7 and 8 off, to disable TLM.
[301]	Enter any phone number.
[310]	Enter a system account number.
[311] - [318]	Enter an account number for each partition if SIA format is not being used.
[350]	Enter 03 or 04 for CID or SIA reporting, respectively.

[351] - 358]	Turn option 1 on for each partition alarm/restore reporting.
[367]- [374]	Turn option 1 on for each partition open/close reporting.
[380]	Turn option 1 on to enable communicator for digital monitoring. Option 4 must be off.
[381]	Options 3 and 7 must be off for automatic SIA and CID reporting.

2. PC5010

If CID format is used, CID codes need to be programmed manually.

Section	
[015]	Turn option 4 on, to enable quick arming, and options 7 and 8 off, to disable TLM.
[301]	Enter any phone number.
[310]-[311]	Enter an account number for each partition if SIA format is not being used.
[360]	Enter 03 for CID reporting or 04 for SIA.
[361]-[362]	Turn option 1 on for each partition alarm/restore reporting.
[365]-[366]	Turn option 1 on for each partition open/close reporting.
[380]	Turn option 1 on to enable communicator for digital monitoring. Option 4 must be off.
[381]	Option 3 must be off for automatic SIA reporting.

3. PC5020

Section	Description
[015]	Turn option 4 on, to enable quick arming, and options 7 and 8 off, to disable TLM.
[301]	Enter any phone number.
[310]	Enter a system account number.
[311]-[317]	Enter an account number for each partition if SIA format is not being used.
[350]	Enter 03 for CID reporting or 04 for SIA.
[351]-[358]	Turn option 1 on for each partition alarm/restore reporting.
[367]-[374]	Turn option 1 on for each partition open/close reporting.
[380]	Turn option 1 on to enable communicator for digital monitoring. Option 4 must be off.
[381]	Options 3 and 7 must be off for automatic SIA and CID reporting.

4. PC1575

Section	Description
[08]	Turn options 5 and 6 off to disable TLM.
[10]	Turn option 6 on to enable quick arming.
[31]	Enter any phone number.
[34]	Enter a system account number.
[36]-[46]	Set reporting codes for all desired events (when using CID).
[50]	Enter 03 for CID reporting or 04 for SIA.
[51]	Turn on option 1 for alarm/restore reporting.
[53]	Turn option 1 on for open/close reporting.
[60]	Turn on options 1 and 2 to enable communicator for digital monitoring. Option 3 must be off.
[61]	Option 6 must be off for automatic SIA reporting codes.

5. PC1565/1555

Section	Description
[015]	Turn option 4 on, to enable quick arming, and options 7 and 8 off, to disable TLM.
[301]	Enter any phone number.
[310]	Enter a system account number.
[360]	Enter 03 for CID reporting or 04 for SIA.
[361]	Turn option 1 on for alarm/restore reporting.
[365]	Turn option 1 on for open/close reporting.
[380]	Turn option 1 on to enable communicator for digital monitoring. Option 4 must be off.
[381]	Options 3 and 7 must be off for automatic SIA and CID reporting.

6. PC585/580

Section	Description
[015]	Turn option 4 on, to enable quick arming, and options 7 and 8 off, to disable TLM.
[301]	Enter any phone number.
[310]	Enter a system account number.

[360]	Enter 03 for CID reporting or 04 for SIA.
[361]	Turn option 1 on for each partition alarm/restore reporting.
[365]	Turn option 1 on for each partition open/close reporting.
[380]	Turn option 1 on to enable communicator for digital monitoring. Option 4 must be off.
[381]	Options 3 and 7 must be off for automatic SIA and CID reporting.

2. DSC Alarm Panels

a. Dial Capture (Tip/Ring) Monitoring & Keyswitch

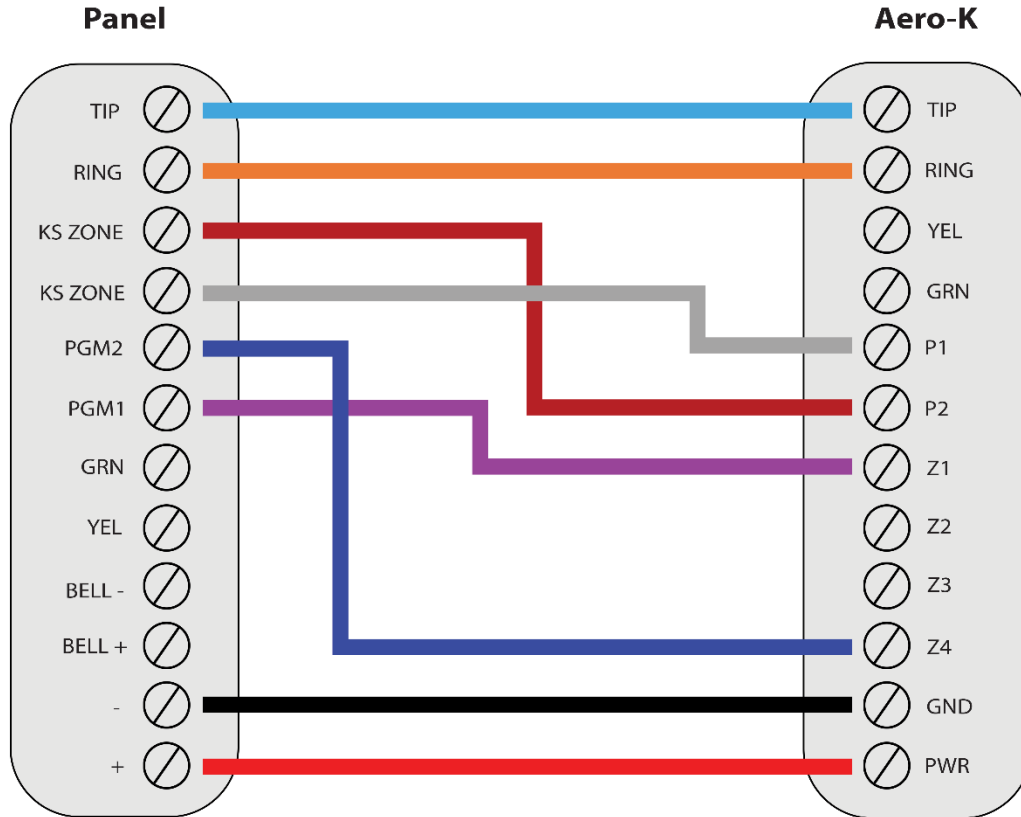
For DSC panels that do not support keybus use Tip/Ring and keyswitch to monitor and control your system remotely.

After installation, for proper partition mapping onto Aryo cloud and keyswitch arming, follow the instructions below:

- *Partition mapping*: Operate on the alarm panel and send signals from each partition. Then, wait for the corresponding event on Aryo cloud, before initiating the next signal.
- *Keyswitch arming*: Enable keyswitch arming for the intended partitions via Aryo cloud settings. Arm/disarm each partition (if applicable) from the user app. Then, wait for confirmation events on Aryo cloud before initiating subsequent actions.

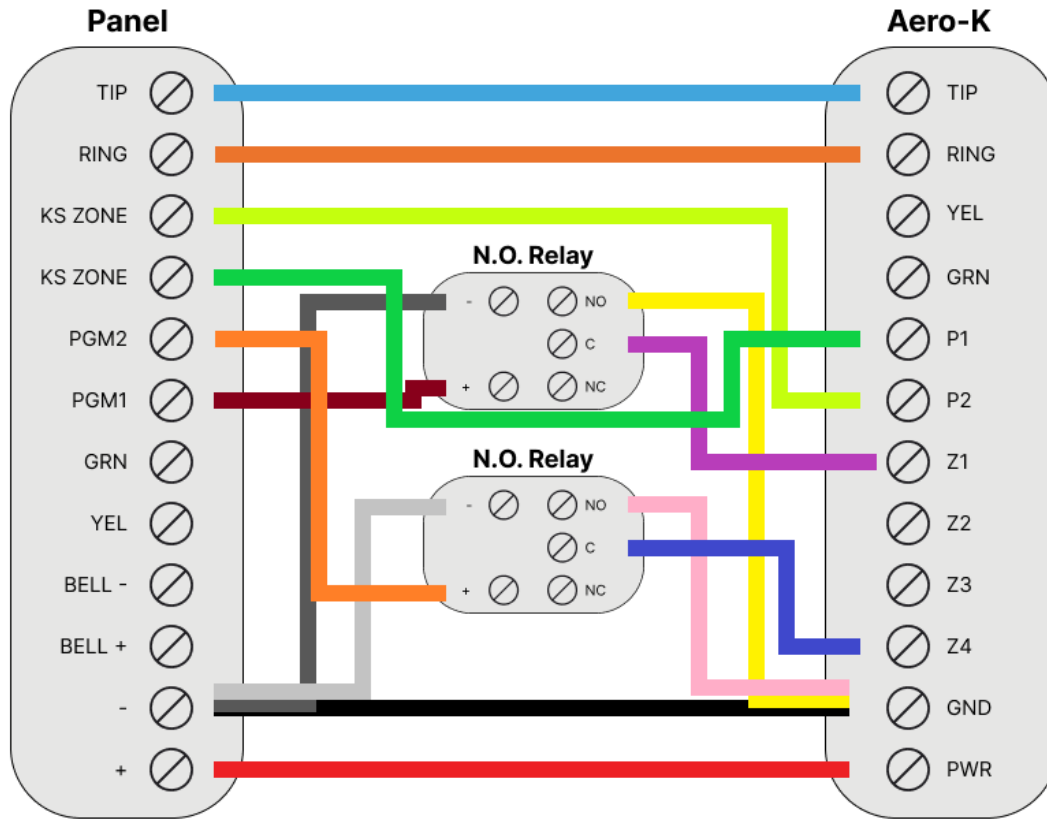
i. Wiring Diagram

1. ALEXOR, IMPASSA, NEO, SCW9045/9047



**Colours are for demonstration purposes only*

2. PC4020 MAXSYS



*Colours are for demonstration purposes only

ii. Programming Instructions

To monitor DSC alarm panels with dial capture, program your system as described below. Instructions in *italics* are for optional remote arming with keyswitch. PGMs on Aero-K can be connected to any zone programmed as keyswitch for remote arming functionality.

1. ALEXOR (PC9155)

Section	Description
[015]	Turn option 4 on, to enable quick arming, and option 7 off, to disable TLM.
[301]	Enter any phone number.
[310]	Enter a system account number.
[350]	Enter 03 for CID reporting or 04 for SIA.
[351]	Turn option 1 on for alarm/restore reporting.
[367]	Turn option 1 on for open/close reporting.
[380]	Turn option 1 on to enable communicator for digital monitoring.

[381]	Options 3 and 7 must be off for automatic SIA and CID reporting.
[001]	<i>Set a zone to 22 for keyswitch arm.</i>
[009]	<i>Set PGM1 to 05 for partition armed status monitoring.</i>
[023]	<i>Turn on option 8 for keyswitch to arm in Away mode.</i>
[501]	<i>Option 3 must be on to enable true output.</i>

2. IMPASSA (SCW9055/9057)

Section	Description
[015]	Turn option 4 on, to enable quick arming, and option 7, to disable TLM.
[301]	Enter any phone number.
[310]	Enter a system account number.
[350]	Enter 03 for CID reporting or 04 for SIA.
[351]	Turn option 1 on for alarm/restore reporting.
[367]	Turn option 1 on for open/close reporting.
[380]	Turn option 1 on to enable communicator for digital monitoring.
[381]	Options 3 and 7 must be off for automatic SIA and CID reporting.
[001]	<i>Set a zone to 22 for keyswitch arm.</i>
[009]	<i>Set PGM1 to 05 for partition armed status monitoring.</i>
[023]	<i>Turn on option 8 for keyswitch to arm in Away mode.</i>
[501]	<i>Option 3 must be on to enable true output.</i>

3. NEO (HS2016/2032/2064/2128)

Section	Description
[015]	Turn option 4 on, to enable quick arming, and options 7 and 8 off, to disable TLM.
[301]	Enter any phone number.
[308]	Program all event reporting.
[310]	Enter a system account number (first entry) and an account number for each active partition.
[311]-[318]	Turn on option 1 for each partition alarm/restore (first entry) and open/close (third entry) reporting.

[350]	Enter 03 for CID reporting or 04 for SIA.
[380]	Turn option 1 on to enable communicator for digital monitoring. Option 4 must be off.
[001]	Set a zone to 66 for keyswitch arm on partition 1 (set another for partition 2).
[007]	Assign PGM1 to partition 1 (PGM2 for partition 2).
[009]	Set PGM1 to 115 for partition 1 armed status monitoring (set PGM2 for partition 2).
[010]	Option 1 must be on for both 001 (PGM1) and 002 (PGM2) subsections, to enable true output.
[022]	Turn on option 8 for keyswitch to arm in Away mode.

4. PC4020 MAXSYS (V3.5)

Section	Description
To Program using reference numbers	Enter installer's programming ([*][8][Installer's Code]). Then, press and hold the [A]uxiliary key until the keypad displays the following message: "Enter Ref # then *."
[0004000000]	Enter any phone number.
[0004000001]	Enter 04 for CID or 05 for SIA format.
[00040003]	Enter a system account number. Substitute the HEX digit "A" for the zero (0).
[01000100]- [01000800]	Enter an account number for each active partition.
[000401]	Enable "DTMF Dialing", "SIA 1 Account#", "AutoReport SIA", and "Auto Contact ID" options, and disable "TLM Enabled" option.
[0004000002]	Enable alarm/restore and open/close reporting.
[000700]- [000701]	<i>A relay must be used for each partition,</i> <u><i>Normally open relay</i></u> <i>For partition 1, Program 06 (armed status) for PGM1. (For partition 2, Program 06 (armed status) for PGM 2.)</i> <u><i>Normally close relay</i></u> <i>For partition 1, Program 07 (inverted armed status) for PGM1. (For partition 2, Program 07 (inverted armed status) for PGM 2.)</i>
[0100010300]- [0100020300]	Set a zone to 26 for momentary keyswitch arm on partition 1 (set another for partition 2)*.

*Need to set to 25 for momentary keyswitch, if the version is 3.0. Refer to the corresponding manuals for other versions.

5. SCW9045/9047

Section	Description
[015]	Turn option 4 on, to enable quick arming, and option 7, to disable TLM.
[301]	Enter any phone number.
[310]	Enter system account number.
[350]	Enter 03 for CID or 04 for SIA.
[351]	Turn option 1 on for alarm/restore reporting.
[367]	Turn option 1 on for open/close reporting.
[380]	Turn option 1 on to enable communicator for digital monitoring.
[381]	Options 3 and 7 must be off for automatic SIA and CID reporting codes.
[001]	<i>Set a zone to 22 for keyswitch arm.</i>
[009]	<i>Set PGM1 to 05 for partition armed status monitoring.</i>
[023]	<i>Turn on option 8 for keyswitch to arm in Away mode.</i>
[501]	<i>Option 3 must be on to enable true output.</i>

3. DSC Legacy Alarm Panels

a. With Keyswitch

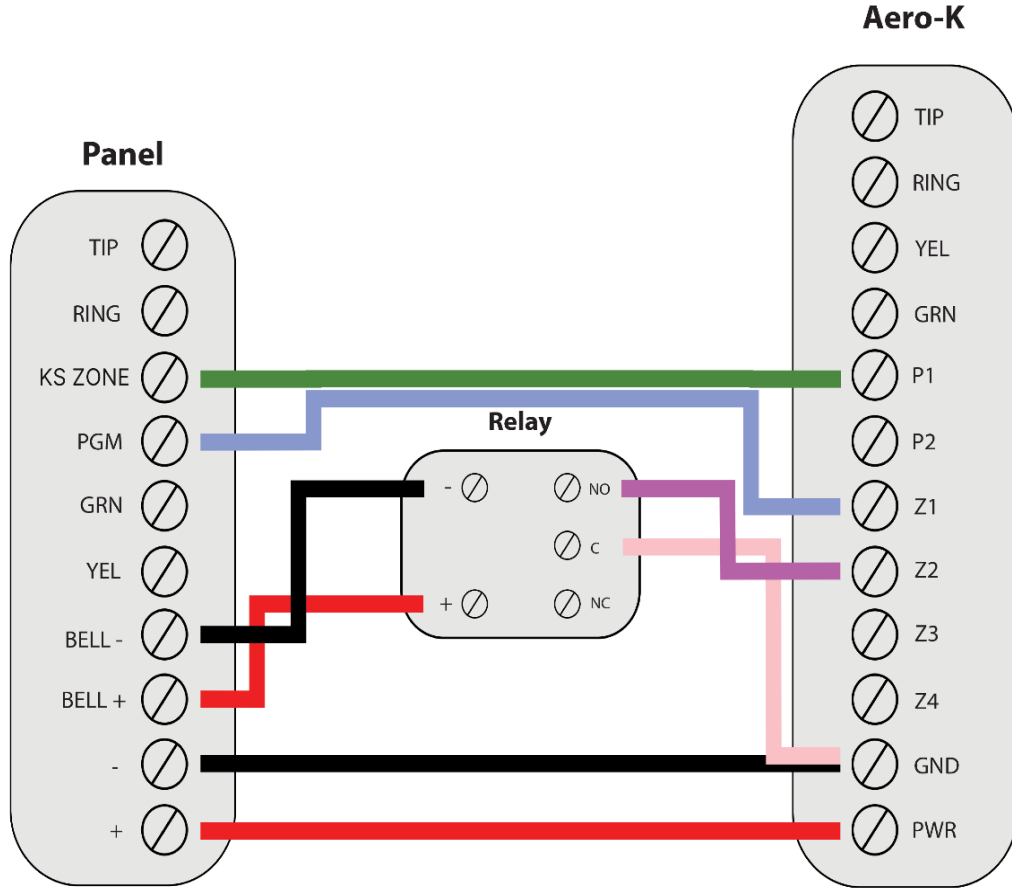
For DSC alarm panels without CID or SIA format communications, a relay is required to monitor alarms. Connect the relay as described below for fire/burglary monitoring and keyswitch remote arming.

After installation, for proper partition mapping onto Aryo cloud and keyswitch arming, follow the instructions below:

- *Partition mapping:* Operate on the alarm panel and trigger the fire/burglary signal transmitted through Aero-K zone 2. Then, wait for the corresponding event on Aryo cloud, before initiating the next signal.
- *Keyswitch arming:* Arm/disarm the partition from the user app. Then, wait for confirmation events on Aryo cloud before initiating subsequent actions.

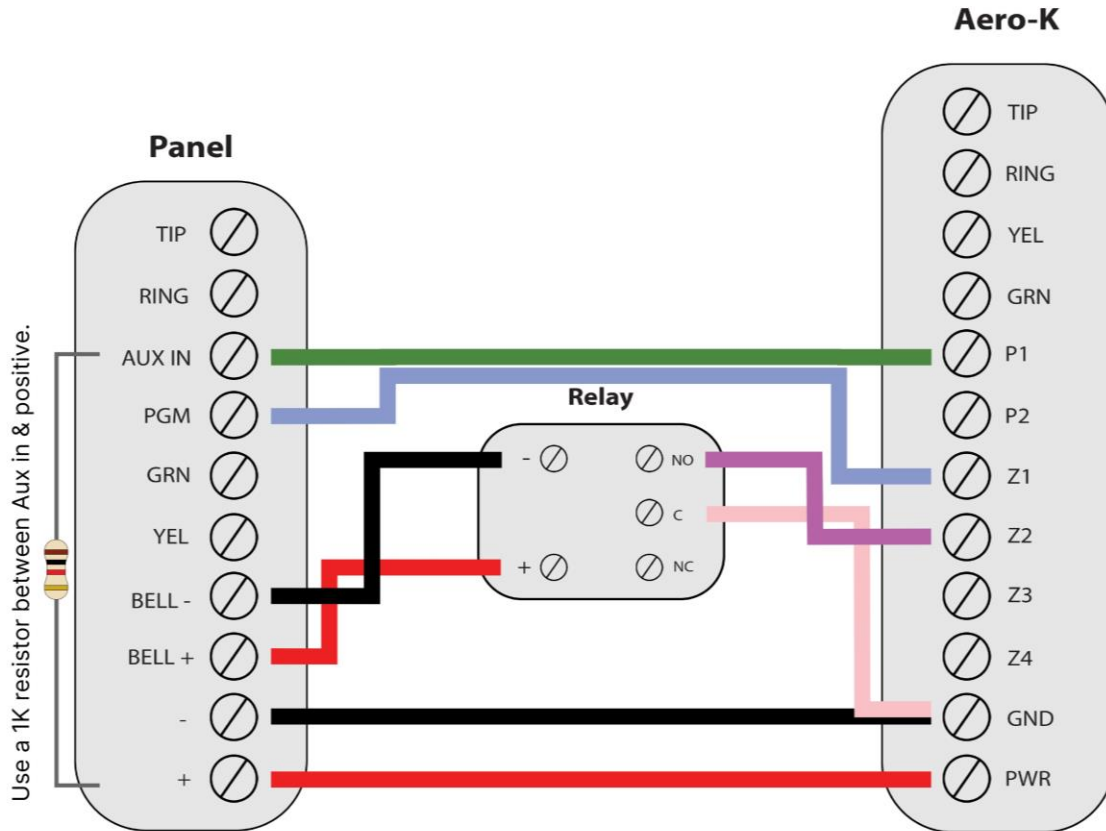
i. Wiring Diagram

1. PC2525



*Colours are for demonstration purposes only

2. PC 2550/3000



**Colours are for demonstration purposes only*

ii. Programming Instructions

To monitor legacy DSC alarm panels that do not support CID or SIA format, program your system as described below. Instructions in *italics>* are for optional remote arming with keyswitch. PGMs on Aero-K can be connected to any zone programmed as keyswitch for remote arming functionality.

1. PC2525

Section	Description
[10]	Turn option 4 on to turn panic audible.
[11]	Turn options 7 and 8 on to disable TLM.

[46]	Turn option 1 on to disable communication.
[01]	<i>Set a zone to 9 for keyswitch arm.</i>
[06]	<i>Set PGM to 04 for armed status monitoring.</i>

2. PC2550

Section	Description
[15]	Turn options 1 and 6 on to disable communication and turn panic audible, respectively.
[16]	Turn options 5 and 7 on to disable TLM.
[30]	<i>Set AUX input (first entry) to 3 for momentary keyswitch and PGM (second entry) to 7 for armed status monitoring.</i>

3. PC3000

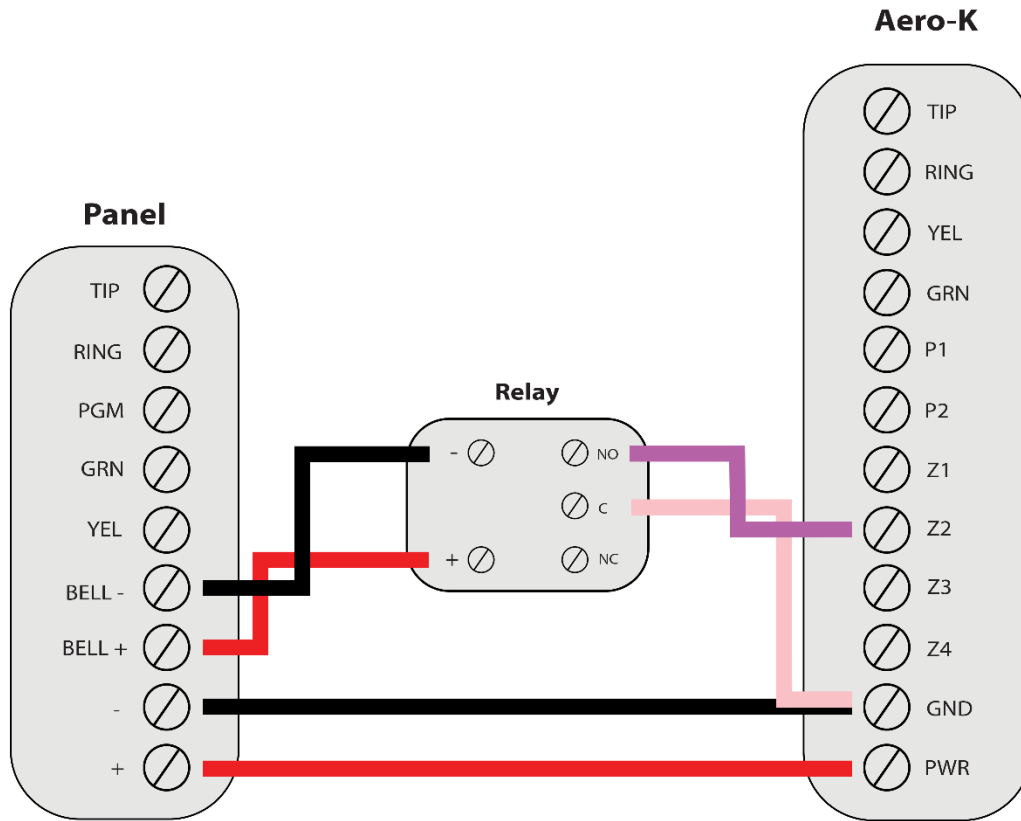
Section	Description
[18]	Turn options 1 and 6 on, to disable communication and turn panic audible, respectively.
[19]	Turn options 5 and 7 on to disable TLM.
[51]	Turn option 4 off to turn panic buzzer audible.
[28]	<i>Set AUX input to 3 for keyswitch (first entry) and PGM (second entry) to 7 for armed status monitoring.</i>

b. Without Keyswitch

For DSC legacy panels without keyswitch, connect a relay as described below for fire/burglary monitoring.

To accurately map alarm panel partition onto Aryo cloud, operate on the alarm panel and trigger the fire/burglary signal transmitted through Aero-K zone 2. Then, wait for the corresponding event on Aryo cloud, before initiating the next signal.

i. Wiring Diagram
1. PC1550/1500



**Colours are for demonstration purposes only*

ii. Programming Instructions

1. PC1550/1500

Section	Description
[12]	Turn options 1 and 6 on, to disable communication and turn panic audible, respectively.
[32]	Turn options 2 and 6 on, to disable the bel during auto-arm and enable standard fire, respectively.